

75W UV-C Stainless Steel unit Remote Control with built in Safety Sensor.

UVDS0002-F-S

A powerful 75W unit the CK75 come complete with a remote control for on /off and timed use as well as a unique safety device built in. The CK75 has a motion sensor house inside the stainless-steel frame which automatically detects movement in the room and shuts down the unit for 30 seconds. The remote control can turn the unit on and off and also set the timer for 15,30 or 45 mins irradiation. The light housing is brushed stainless steel 304 and comes complete with 6 mounting slots for wall or ceiling mount.



Benefits

- 75W Rapid disinfection time.
- Air and surface treatment of contaminants.
- Long lamp Life 10,000 hours
- Traditional UV-C source low pressure lamp
- Built in staff and patient safety device.



Applications

- Dentist Studios for Aerosol irradiation
- Meeting rooms
- Waiting Rooms
- Reception areas
- Care Homes. Schools. Gvms and Offices



Features

- Multiple mounting holes
- Fully stainless Steel 304
- Wall or Ceiling mount
- Remote Control
- Quartz Glass with Ceramic holders.

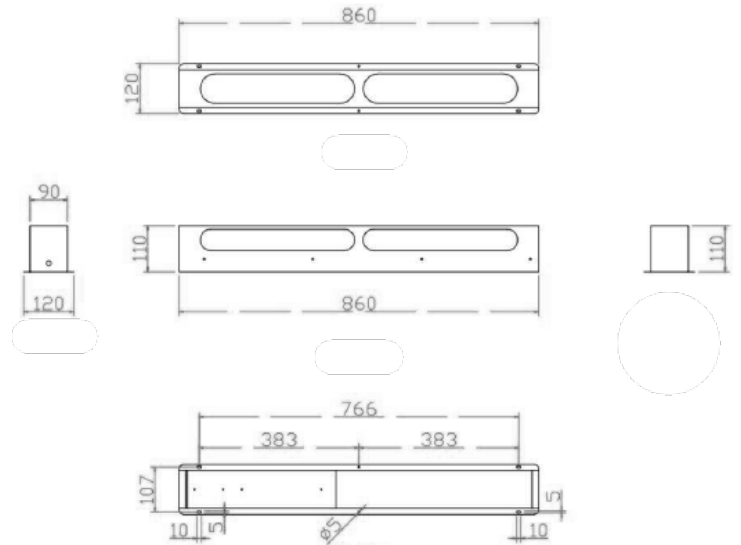


Safety

- Remote Control
- Caged light source
- Ceramic lamp Holders
- Timer function for auto switch off.
- Motion Detection built in.

UVDS0002-F-S

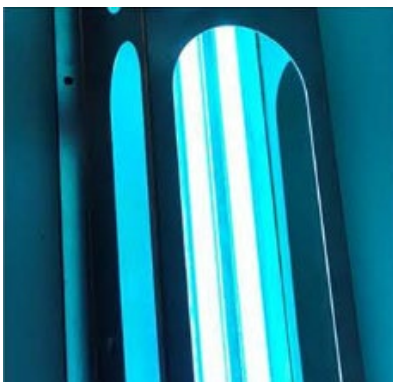
Approval	CE Marked
Technology	LP Mercury
Wavelength	253.7 Nm
Ozone generation	No
Weight	2.5 Kgs
Voltage	220 V 50Hz
Wattage	75 W
Tube material	Quartz Glass
Mechanical and Housing	304 Stainless Steel
Power source	Standard ballast



Order code	Full Product Name	Length (max)	Width (max)	Hight(max)	Wt inc packaging	Wt Net
UVDS0002-F-S	75W remote control S/Steel unit with built in safety sensor	860mm	120mm	110mm	5 KGs	2.5Kgs

Order code	Full Product Name	Lamp Current (Nom)	Voltage (Nom)	Power (Rated)
UVDS0002-F-S	75W remote control S/Steel unit with built in safety sensor	2.5A Max	220-240 VAC	75 W

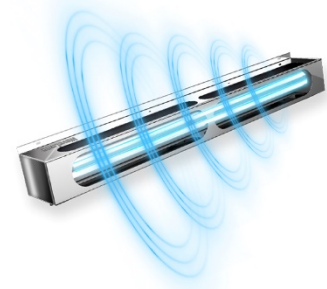
Order code	Full Product Name	O3 Geneerator	Tube Material	UV-C Radiation
UVDS0002-F-S	75W remote control S/Steel unit with built in safety sensor	No	Quartz Glass	253.7 Nm



Quartz Glass & Ceramic lamp holder



Energised



270 Degree Irradiation